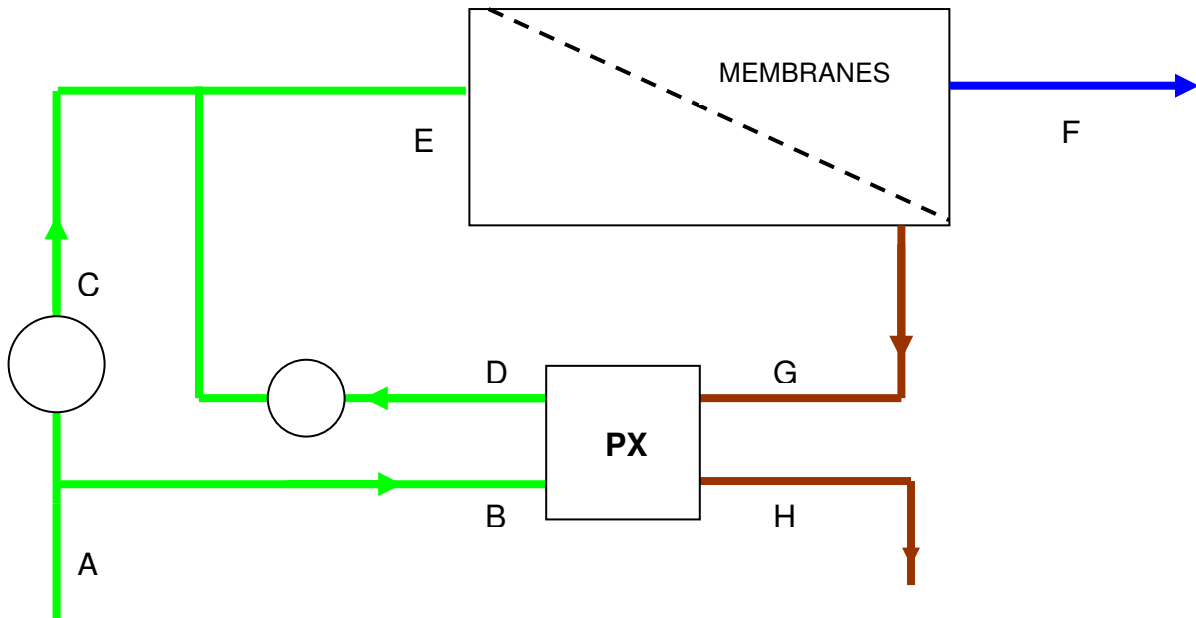


PX PRESSURE EXCHANGER ENERGY RECOVERY SYSTEM SYSTEM FLOW PARAMETERS



		A	B	C	D	E	F	G	H
FLOW	GPM								
	m³/hr								
PRESSURE	PSI								
	Bar								
QUALITY	Cond								
	TDS								

PX-		QTY	
PX UNIT FLOW		GPM	
PX Internal Bypass		GPM	
PX Differential HP side		PSI	
PX Differential LP side		PSI	
Membrane Differential		PSI	
Recovery		%	

LEGEND

- A - LP Seawater to HP pump
- B - LP Seawater to PX
- C - HP Seawater from HP pump
- D - HP Seawater from PX
- E - HP Feed to membranes
- F - Permeate from membranes
- G - HP Concentrate from membranes to PX
- H - LP Concentrate discharge from PX